

OLE Q10 M 500 P2K-TSSL

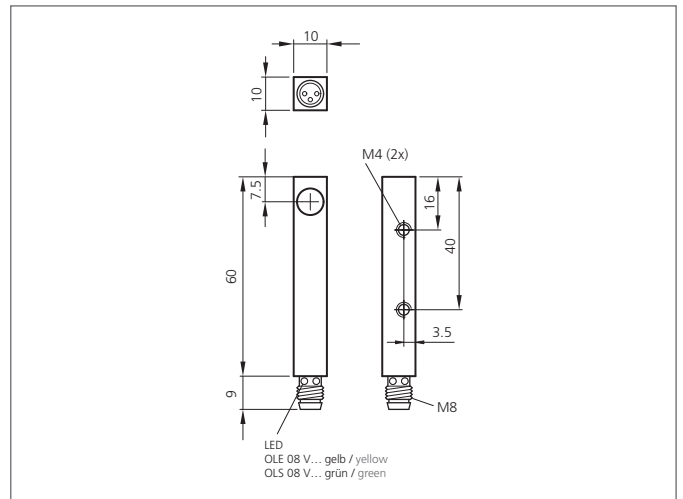
Laser Through Beam Sensor, Receiver

- Small design
- High resolution, switching accuracy, switching frequency
- Robust metal casing



Safety instructions

Inproper use may result in hazardous radiation exposure. Pay attention to accident prevention rules and laser class. The instruments are not to be used for safety applications, in particular applications in which safety of persons depends on proper operation of the instruments. These instruments shall exclusively be used by qualified personnel.



TECHNICAL INFORMATION (typ.)	+20°C, 24V DC
Operating principle	Through beam sensors, receiver, switching output
Evaluation	digital
Size	10 x 10 x 60 mm (Dimensions)
Design	cuboid design
Service voltage	10 ... 35 V DC
Internal power consumption	< 30 mA
Operating distance	0 ... 500 mm
Resolution	Ø 0,2 mm
Sensitivity adjustment	no setting elements
Switching output	pnp, 200 mA, NO
Switching hysteresis	< 0,1 mm
Voltage drop	< 2,5 V
Switching frequency	2.000 Hz
Reproducibility	< 0,1 mm
Ambient temperature	0 ... +50 °C
Ambient light immunity	5 kLx
Insulation voltage endurance	500 V
Protection class	IP 67
Protection degree	III, operation on protective low voltage
Casing material	Die-cast zinc black lacquered finish
Material	glass (Window)
Connection	Connector, M8, 3-poled